

Swing check valves



Bolted bonnet

ASME Class 150

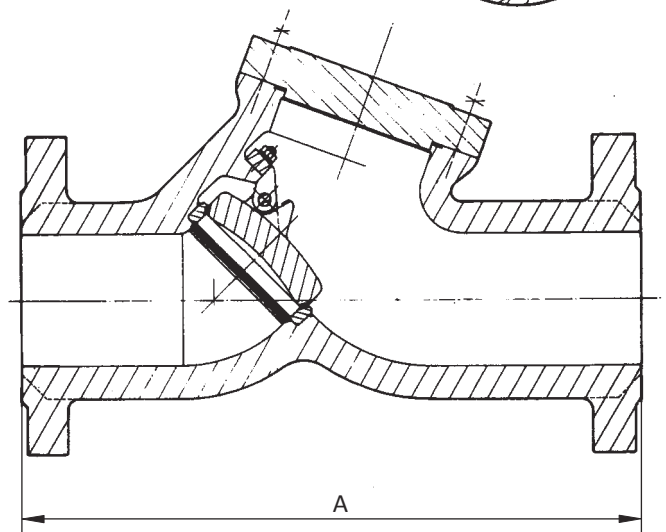
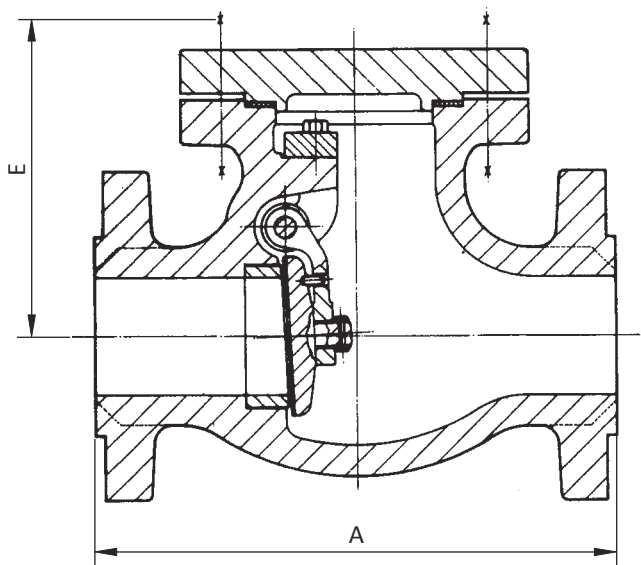
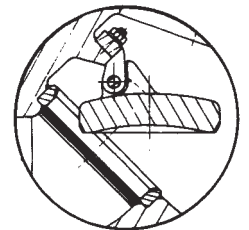
ASME Class 150 dimensional data, mm

Size inches	A		Weight kg
	RF & BW	E	
3	241	152	29
4	292	190	40
6	355	228	78
8	495	292	140
10	622	304	215
12	698	342	295
14	787	406	408
16	863	508	533
18	977	584	670
20	977	622	1000
24	1295	711	1950
26	1295	762	2300
28	1447	838	2500
30	1524	889	2600
32	1727	1016	2800
36	1955	1092	3200
40	2159	1168	4100
42	2159	1219	4400
48	2540	1320	5250



Weights of raised flange valve style

Dimensional data of greater sizes available upon request



Swing check valves



Bolted bonnet

ASME Class 300/600

ASME Class 300 dimensional data, mm

Size inches	A		Weight kg
	RF & BW	E	
3	317	203	45
4	355	228	65
6	444	279	115
8	533	342	215
10	622	381	310
12	711	431	470
14	838	482	550
16	863	508	870
18	977	584	1025
20	1016	660	1500
24	1346	762	2500
26	1346	762	2800
28	1498	889	3000
30	1593	977	3400
32	1727	1016	3700
36	2082	1143	4300
40	2159	1244	5800
42	2159	1270	6950
48	2667	1422	8100

Weights of raised flange valve style
Dimensional data of greater sizes
available upon request

ASME Class 600 dimensional data, mm

Size inches	A		Weight kg
	RF & BW	E	
3	355	203	60
4	431	228	95
6	558	304	200
8	660	406	275
10	787	469	450
12	838	533	615
14	889	609	850
16	990	660	1150
18	1092	774	1620
20	1193	889	2000
24	1397	965	3100
26	1447	1016	3800
28	1600	1066	4600
30	1651	1168	5500
36	2082	1320	7800

Weights of raised flange valve style
Dimensional data of greater sizes available upon request

